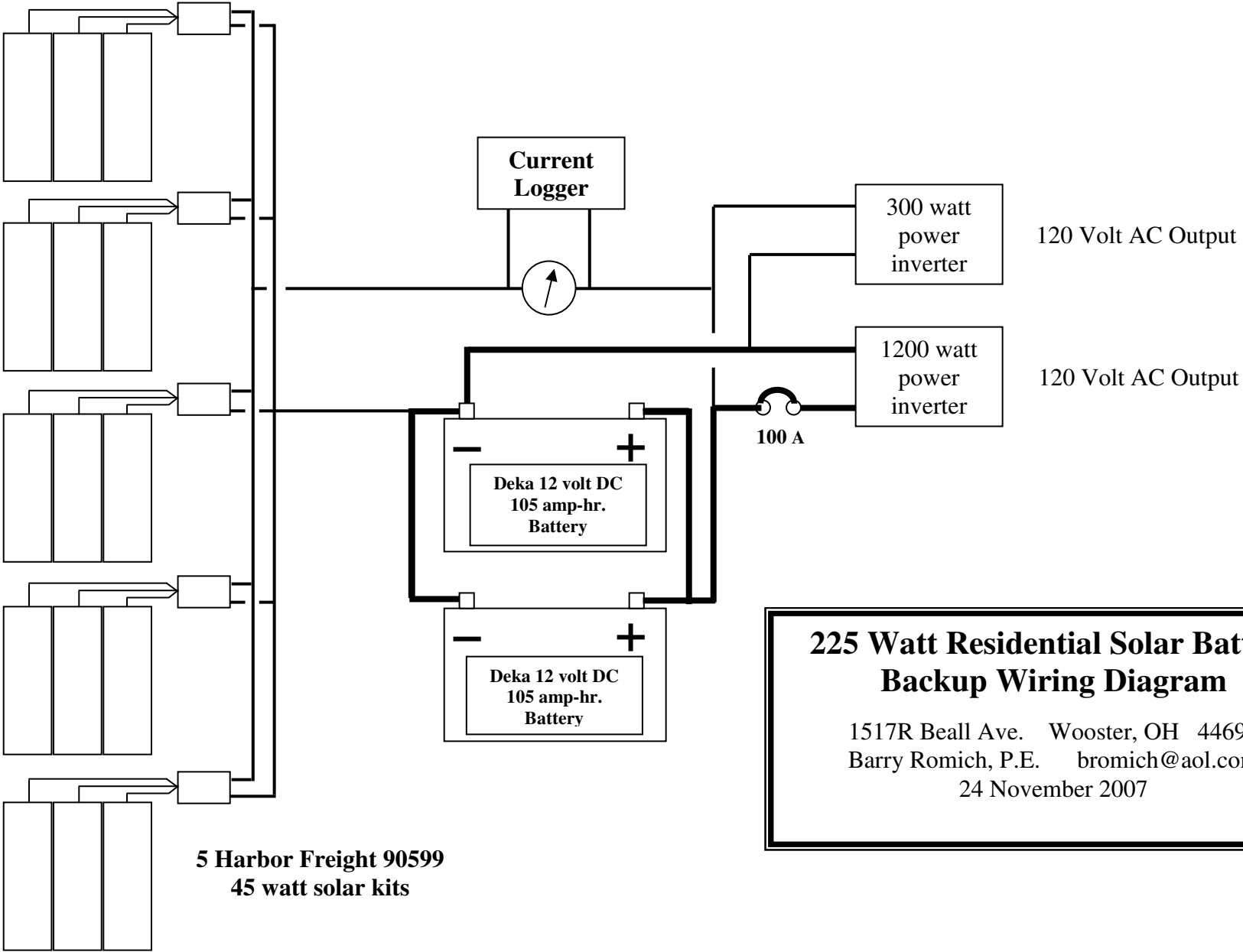


Residential Solar Battery Backup



225 Watt Residential Solar Battery Backup Wiring Diagram

1517R Beall Ave. Wooster, OH 44691
Barry Romich, P.E. bromich@aol.com
24 November 2007